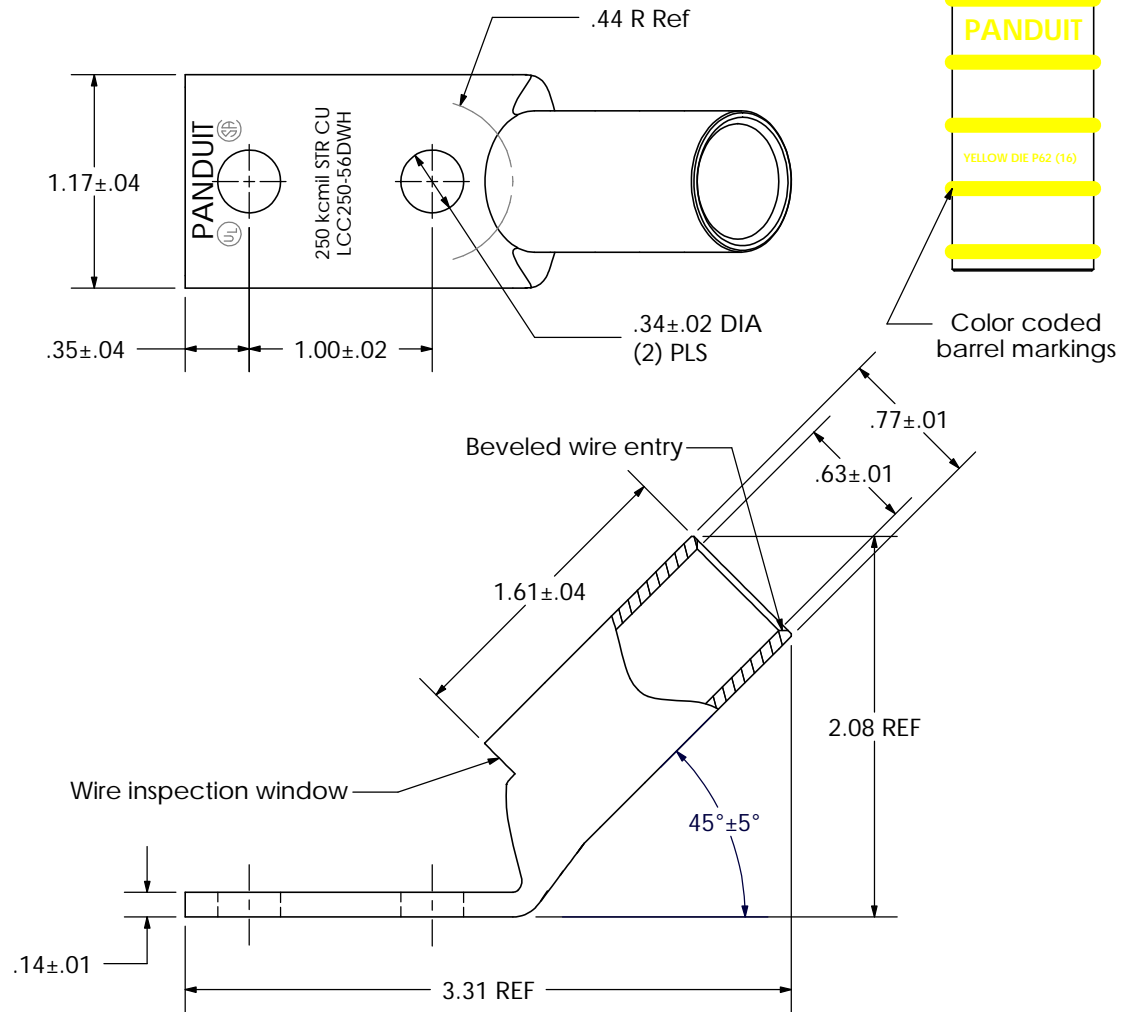


THIS COPY IS PROVIDED ON A RESTRICTED BASIS AND IS NOT TO BE USED IN ANY WAY DETRIMENTAL TO THE INTERESTS OF PANDUIT CORP.

| | |
|--|--|
| Material | High Conductivity Seamless Copper Tube |
| Plating | Electro-Tin |
| Wire Size | 250 kcmil |
| Wire Type | Stranded Copper; Class B: Compact, Compressed or Concentric, Class C: Concentric |
| Wire Strip Length | 1-11/16 in. |
| Stud Size | 5/16 in. |
| UL Listed Wire Connector | Yes, for applications up to 35kv. Consult cable manufacturer for voltage stress relief instructions with applications greater than 2000 volts. |
| UL Temperature Rating | 90° C |
| C.S.A Certified Wire Connector | Yes |
| Panduit Color Code on Barrel | YELLOW |
| Panduit Die Index No. on Barrel | P62 |
| Alternate Industry Die Index No. () on Barrel | (16) |



CERTIFIED



LISTED Wire Connector

| | | | | | | |
|-----|------|------|------|--------------------|-------|-------|
| 01 | 9/04 | JHNU | TLCO | | | |
| REV | DATE | BY | CHK | DESCRIPTION | ECN | SCALE |
| | | | | STUD HOLE WAS 3/8" | 12122 | N/A |

PANDUIT CORP. TINLEY PARK, ILLINOIS

LCC250-56DWH-X
Copper Lug - Two-Hole, Long Barrel with Window, 45° Angle Tongue
DRAWING NO / CAD FILE LCC250-56DWH-CUST